



AquaFugeTM Pro Refugium

The CPR AquaFugeTM Pro Refugium is designed to allow you to culture live food items, macro algae, damaged or newly propagated corals and much more without the risk of losing these items to predators or other conditions in the main tank. The AquaFugeTM Pro is an easy to install, under-the-tank refugium plus protein skimmer. The protein skimmer removes excess organics preventing the build-up of nitrates, nitrites, ammonia, and other toxins. Add your favorite substrate to the AquaFugeTM Pro and create an optimal growth area for natural food items and a variety of beneficial macro algae. The AquaFugeTM Pro can actually help stabilize your marine ecosystem and to reduce the growth of nuisance algae in your main tank.

To place your AquaFugeTM Pro into operation:

1) Open the packaging and carefully inspect the unit for damaged or missing parts. You should have:

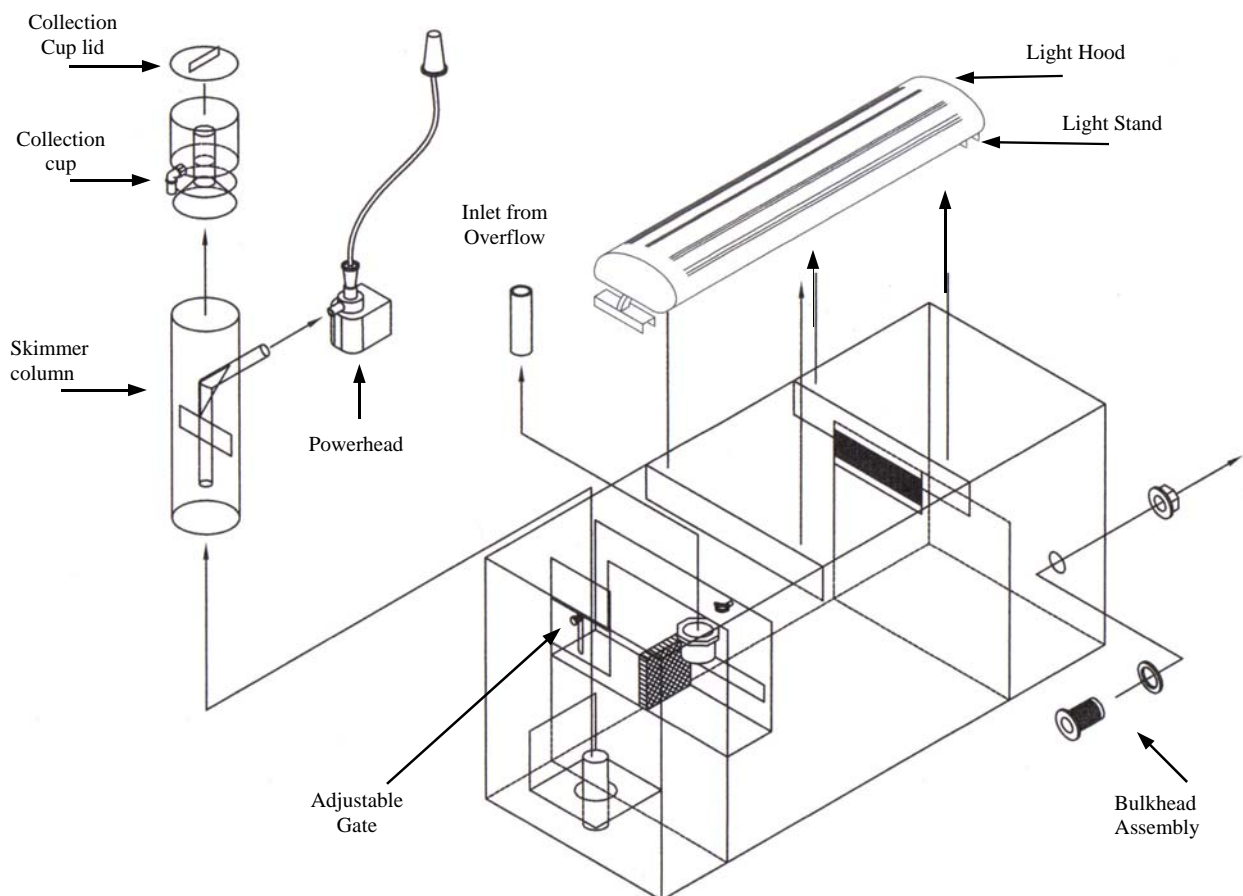
- (1) Refugium Body
- (1) 4" protein skimmer column
- (1) 4" collection cup
- (1) 1" Bulkhead outlet assembly
- (1) Rio GOORV powerhead

If any items are damaged or missing, please contact your dealer immediately.

- 2) Attach the Rejuvenation Venturi powerhead to the skimmer column by sliding the column up and inserting the outlet of the powerhead into the inlet of the skimmer column. Position the powerhead so that it is upside-down, with the venturi elbows pointing upward. Make sure that the end of the long airline tube (with muffler) is out of the water at all times. To ensure this, attach the airline to the black clip at the top of the unit. For ease of maintenance, cut the airline just long enough to reach past the clip.
- 3) Assemble the outlet assembly with the bulkhead nut on the outside of the refugium and the gasket on the inside (this may be done already). Remove the plug if using an external return pump. If using a submersible pump, we recommend using PVC cement to secure the plug in place to prevent leaking.
- 4) Attach the drain line to the collection cup and place the collection cup into the protein skimmer column. The drain line can be run into a container to collect the skimmer waste.
- 5) Connect a 1 ¼" flexhose (sold separately) to the refugium by sliding the inlet adapter into the inlet. Connect the other end of the hose to your overflow or drilled tank.
- 6) Install your return pump according to manufacturer instructions.

- 7) Before placing the AquaFuge™ Pro into operation, it is recommended that you now add any substrate that you plan to use to minimize clouding of the water. Once the unit is part way filled, you may want to wait a short time to allow fine sediment to settle.
- 8) Initially it may be necessary to fill the refugium one to two inches higher than the desired water line to compensate for the dry return line. Wait for a period of time and check the system for any leaks. Once this is done, start the return pump and check for leaks again. It may be necessary to use PVC cement and clamps to secure the fittings, but this will make the connections permanent.
- 9) Plug in the rejuvenation venturi powerhead attached to the protein skimmer column. Set the adjustable gate (using the adjustment screw) so that the water level in the skimmer column is about 1/4 inch above the base of the collection cup funnel. After the skimmer has run for 24 hours you may need to readjust the water level in the skimmer. If foam in the collection cup is coming out too fast or too wet, lower the adjustable gate. If the skimmer is not pulling any material from the refugium you may need to raise the adjustable gate. The protein skimmer should start producing greenish-brown foam (resembling dark tea) within approximately ten hours depending on water quality and biological load.
- 10) The protein skimmer collection cup should be checked and cleaned regularly, paying special attention to the throat of the funnel. Excessive build-up of waste in the throat of the funnel can decrease the efficiency of the skimmer to collect skimmate.

Your AquaFuge™ Pro is now operational!



REMOVAL AND CLEANING OF YOUR POWERHEADS

- 1) Carefully slide the powerheads out of the inlets of the AquaFuge™ Pro.
- 2) Remove both air lines and the powerhead cover by inserting a flat-head screwdriver into slot (C) and prying very gently. (If you pry too hard you may break off the tabs that hold down the Rejuvenation plate, causing bubbles to escape from the powerhead)
- 3) Remove the round Rejuvenation plate by lining up the flat portion to the locking guide. Be sure not to lose the small "O" ring that fits around this plate and make sure that it is still intact.
- 4) Wash all parts under warm tap water. Do not use any detergents. Make sure that the air lines and gray elbows (A) are clear of any foreign matter, calcium buildup or salt creep before reassembling.
- 5) Reassemble the powerheads and place them back on your AquaFuge™ Pro.

